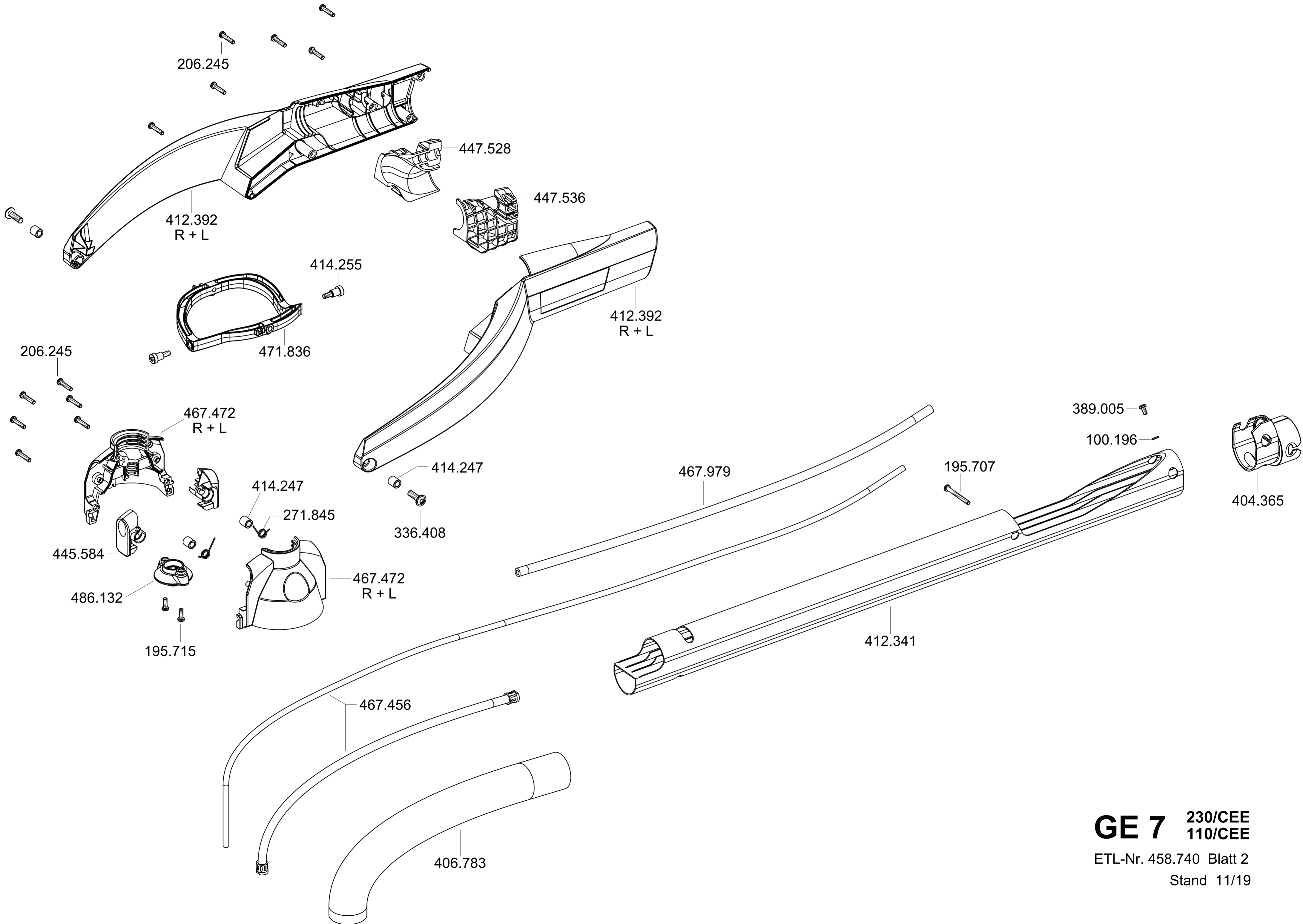


GE 7 230/CEE
110/CEE

ETL-Nr. 458.740 Blatt 1
Stand 11/19

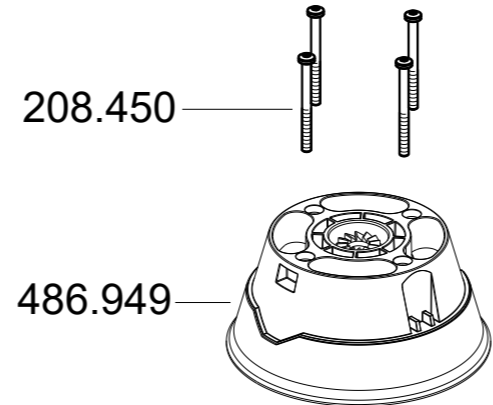
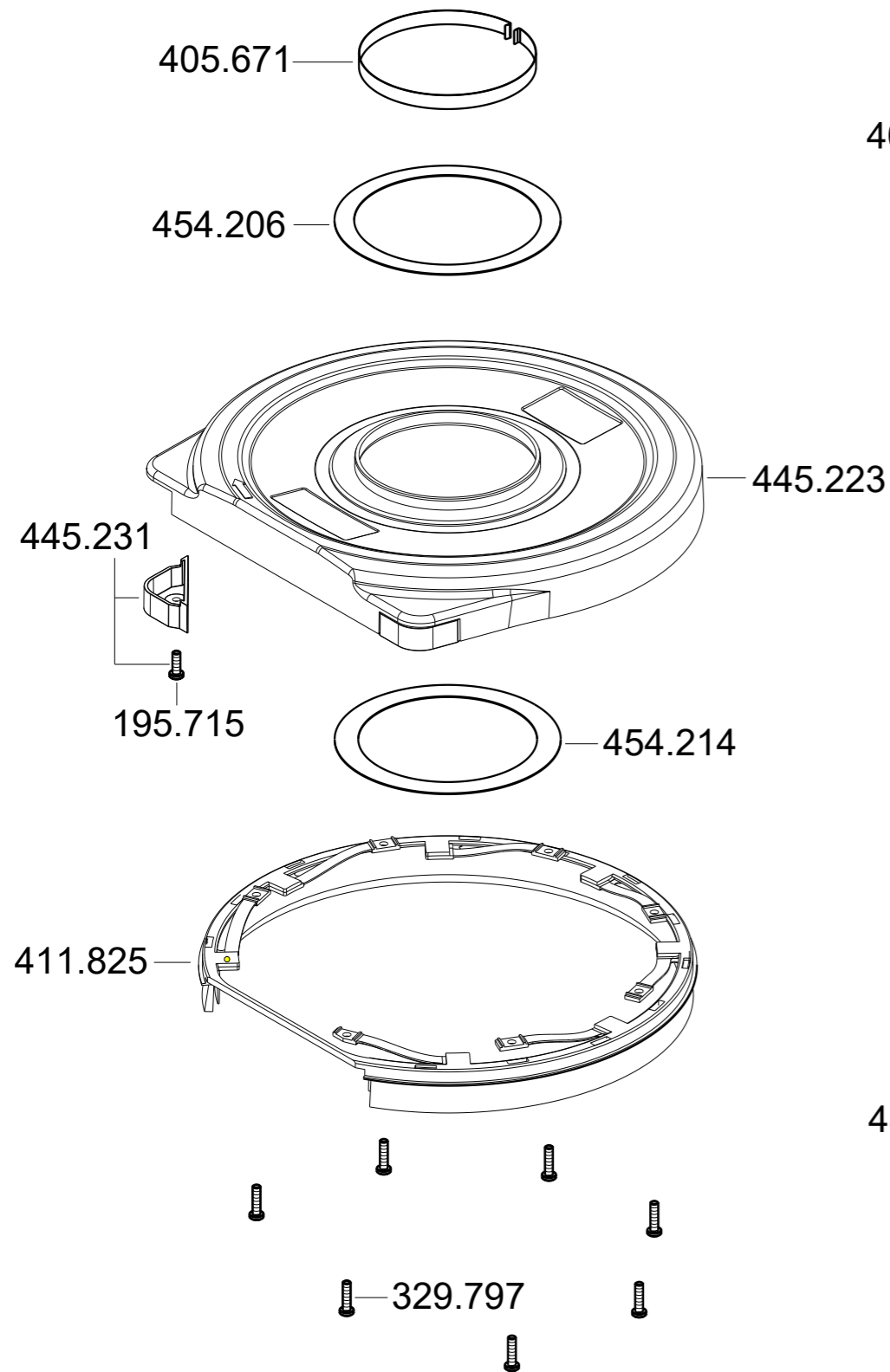


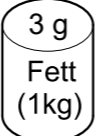
GE 7 230/CEE
110/CEE

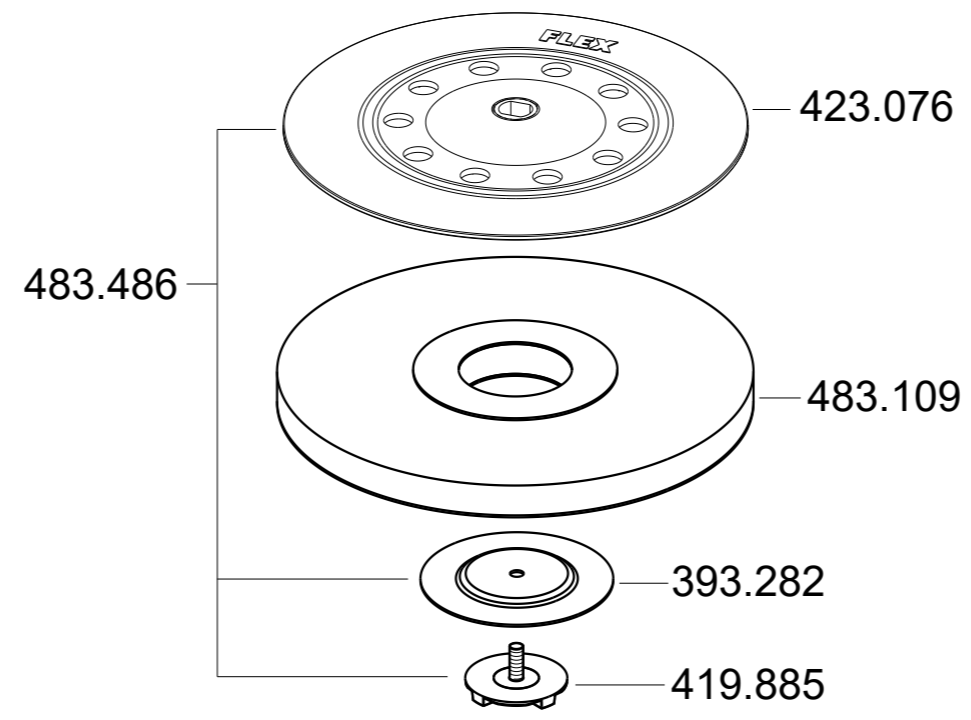
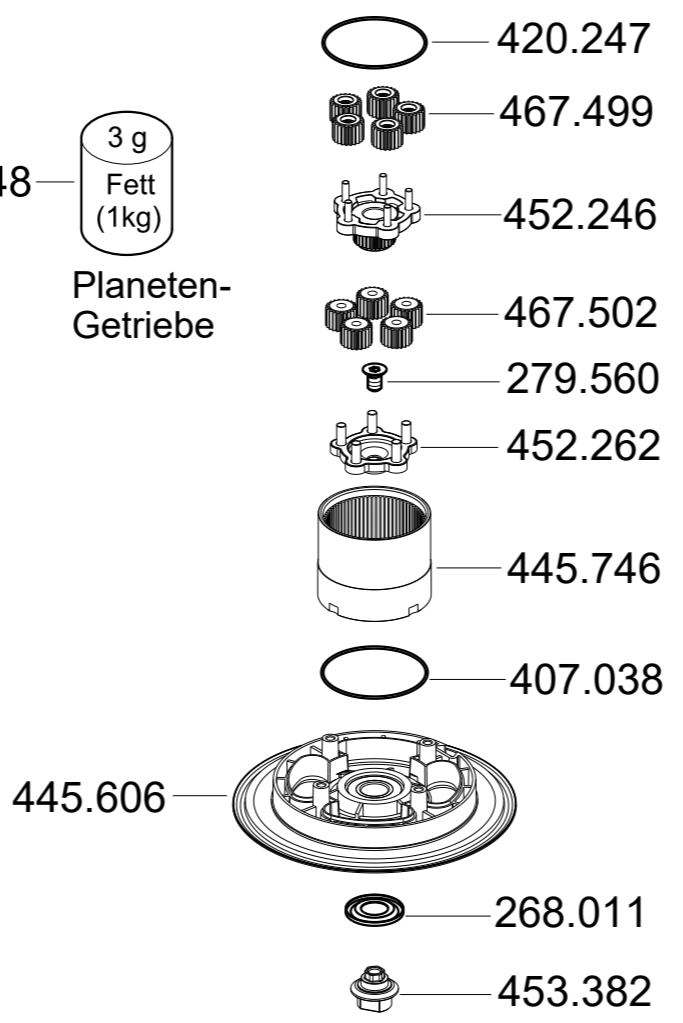
ETL-Nr. 458.740 Blatt 2

Stand 11/19

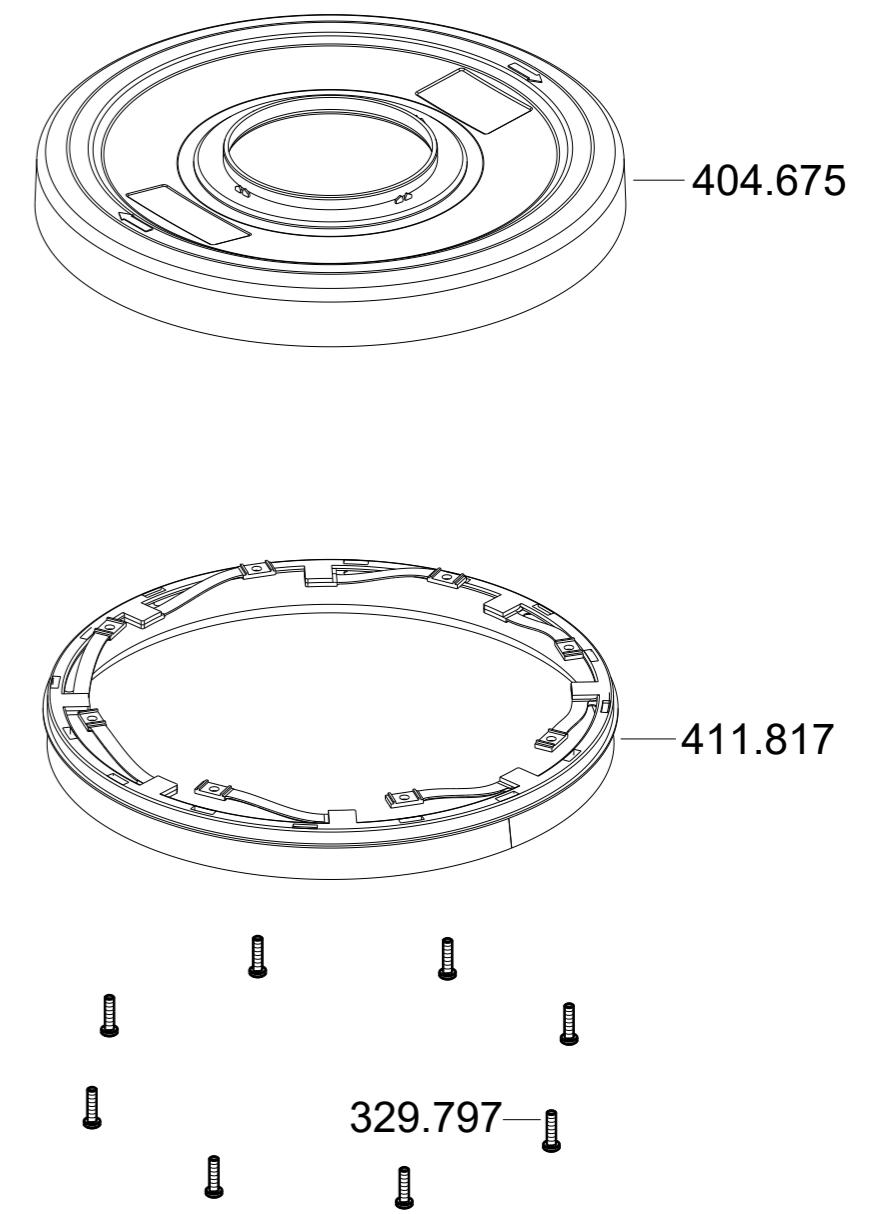
MH-R D225



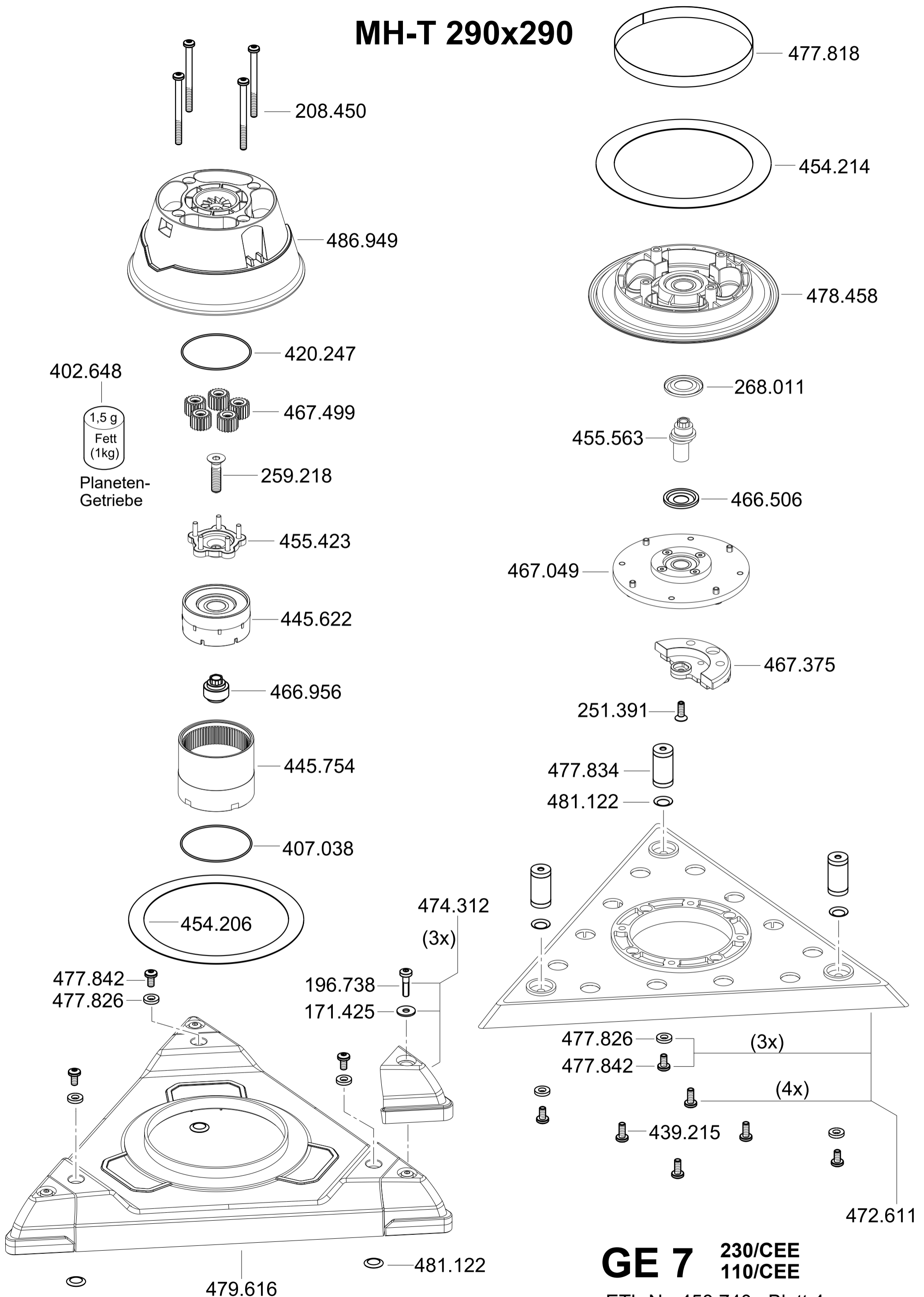
402.648  3 g
Fett
(1kg)
Planeten-
Getriebe



MH-O D225

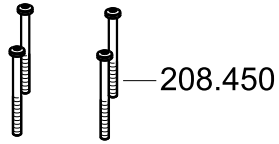


MH-T 290x290

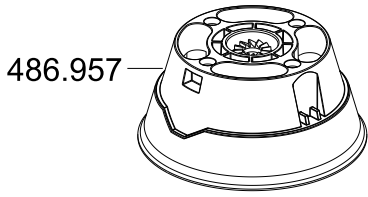


GE 7 230/CEE
110/CEE

ETL-Nr. 458.740 Blatt 4
Stand 11/19

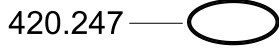


208.450

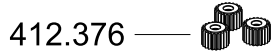


486.957

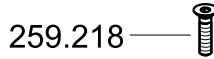
MH-X D225



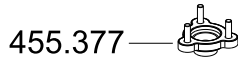
420.247



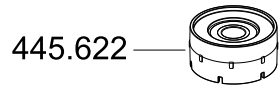
412.376



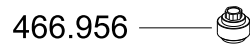
259.218



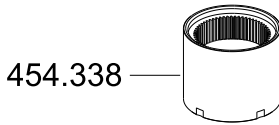
455.377



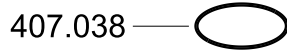
445.622



466.956

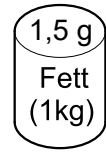


454.338

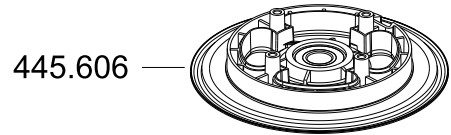


407.038

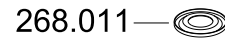
402.648



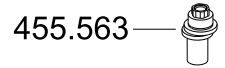
Planeten-
Getriebe



445.606



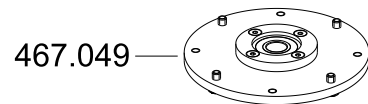
268.011



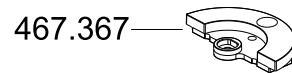
455.563



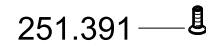
466.506



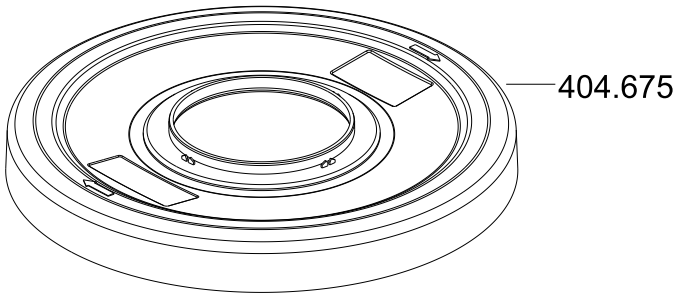
467.049



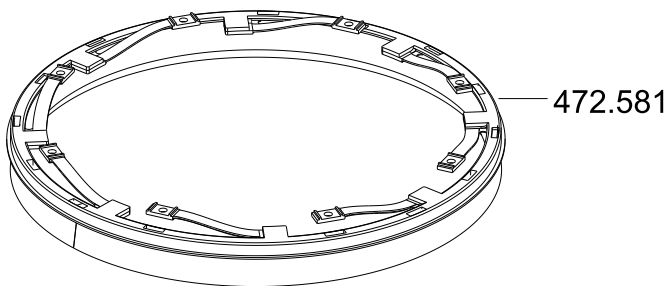
467.367



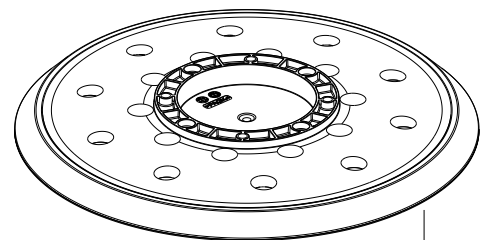
251.391



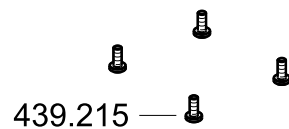
404.675



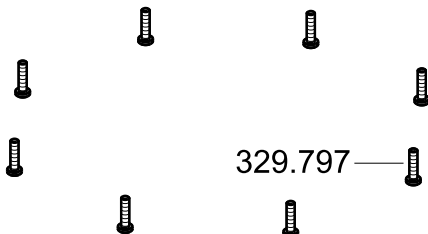
472.581



472.603



439.215



329.797

GE 7 230/CEE 110/CEE

ETL-Nr. 458.740 Blatt 5
Stand 11/19